



**MODEL: EMSL22**

## MANUAL SCISSOR LIFT



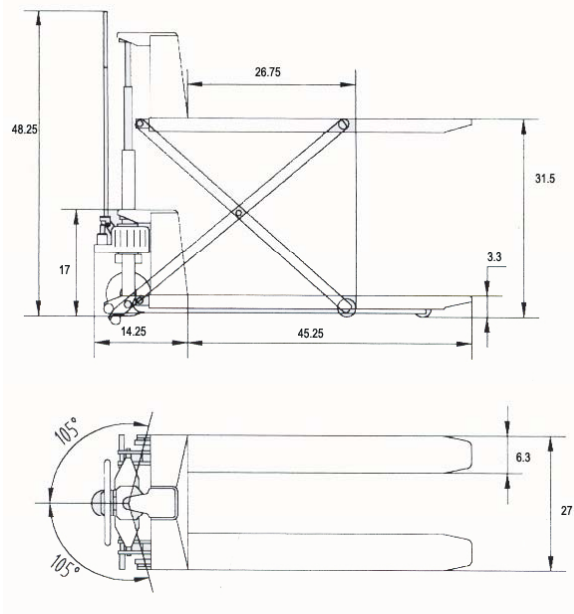
### SPECIFICATIONS:

Lowered Height:	3.3"
Raised Height:	31.5"
Load Capacity:	2,200 lbs.
Overall Fork Width:	27"
Fork Length:	45"
Fork Width:	6.3"
Weight:	375 lbs.
Steer Wheels:	7" X 2"
Rollers:	3" X 2"

(also available in battery model: EBSL22)

The ECO EMSL22 Scissor Lift is a manually operated high lift truck designed to handle applications such as lifting and transporting skids and bottomless containers, loading and unloading conveyor systems, and is perfectly suited for use as a work station.

Built to work like a Stacker and Pallet Truck combined, the ergonomic design of the EMSL22 helps prevent bending and back injuries thereby reducing costly workman's compensation claims.



For more information:

**MOBILE**

Phone: 800-527-4612

Fax: 800-952-5097

E-mail: [info@mobilept.com](mailto:info@mobilept.com)

Website: [www.mobilept.com](http://www.mobilept.com)