



MODEL: EBSL22

BATTERY SCISSOR LIFT

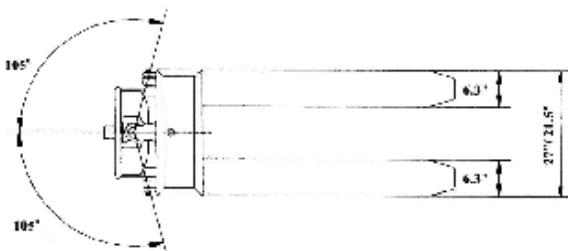
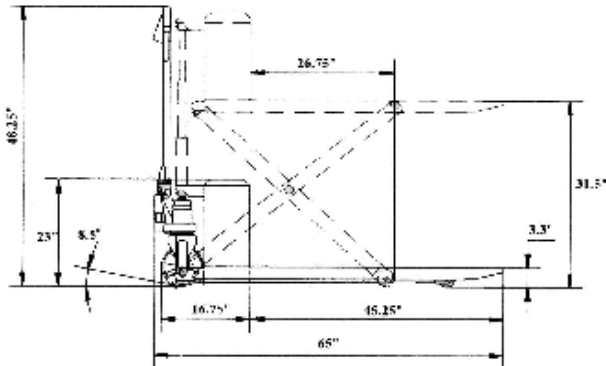


SPECIFICATIONS:

Lowered Height:	3.3"
Raised Height:	31.5"
Load Capacity:	2,200 lbs.
Load Center:	26.75"
Overall Fork Width:	27"
Fork Length:	45"
Fork Width:	6.3"
Weight:	535 lbs.
Steer Wheels:	7" X 2"
Rollers:	3" X 2"
Battery:	12 Volt
Charger:	12V / 10A

The ECO EBSL22 Scissor Lift is a battery operated high lift truck designed to handle applications such as lifting and transporting skids and bottomless containers, loading and unloading conveyor systems, and is perfectly suited for use as a work station.

Built to work like a Stacker and Pallet Truck combined, the ergonomic design of the EBSL22 helps prevent bending and back injuries thereby reducing costly workman's compensation claims.



For more information:

MOBILE

Phone: 800-527-4612

Fax: 800-952-5097

E-mail: info@mobilept.com

Website: www.mobilept.com