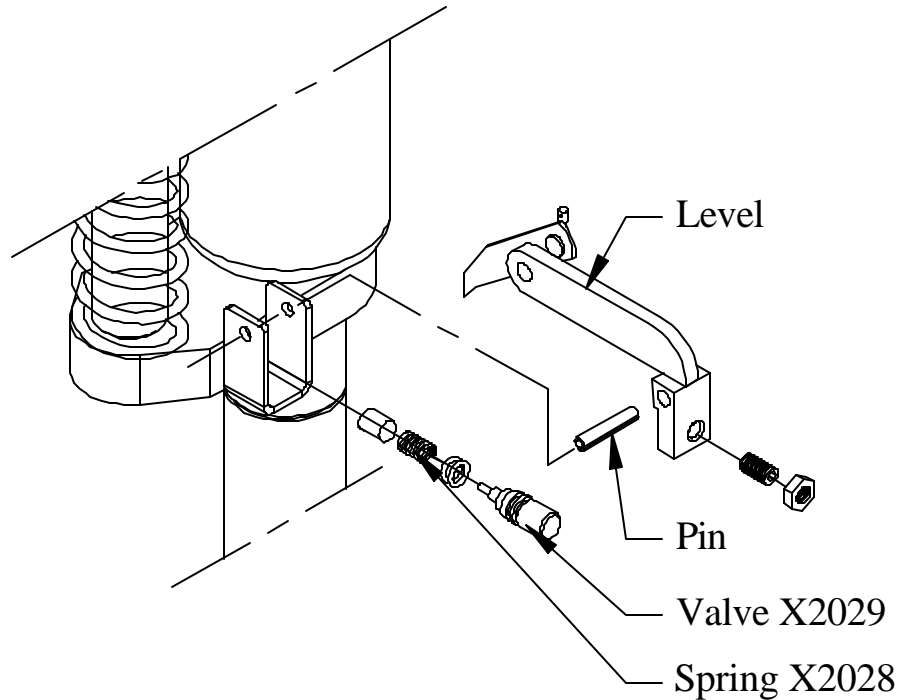


Qty	Part No.	Serial No.	Description
-----	----------	------------	-------------

How to replace Release Valve (X2029)



How to

1. With truck in raised position, use 1/4 punch to remove pin;
2. Lift up level exposing valve, have wiper to catch any oil drops when removing valve;
3. Install replacement, locate level with pin;
4. Check operation.

Note

1. Truck in raised position removes oil from reservoir allowing for min. leak when replacing valve;
2. If pump not lifting after assembly, hold control open in handle and pump fast 9 or 10 strokes, this will remove air from system.

MOBILE INDUSTRIES INC.

NAME **Service Manual X2029**

DWN Alex DRAWING No.

SCALE N/A

DATE DRAWN Nov. 29

--

ISSUE#	-	Rev.DATE	//	DATE DRAWN	Nov. 29
--------	---	----------	----	------------	---------

REASON FOR CHANGE

Tolerances on Dimensions Unless Otherwise Specified Fractional +/- 1/32 Decimal +/- .010