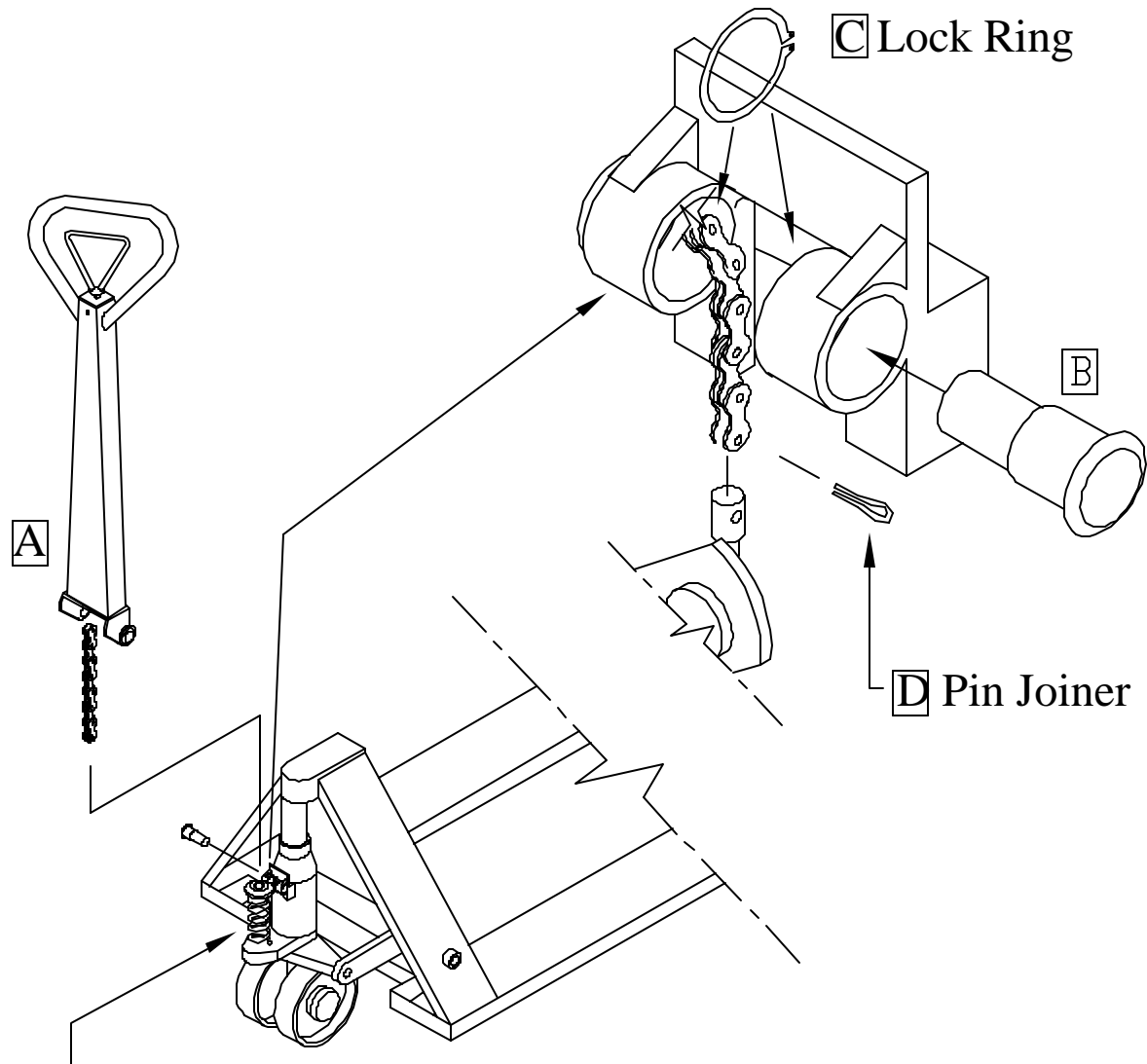


How to install Handle on ML55



Note

Do not remove
spring clamp until
handle is installed.

- A** Intall Handle Upright
- B** Insert Pins
- C** Install Lock Rings with Tool Supplied
- D** Insert Joiner Pin&Lock
- E** Romove Spring Clamp