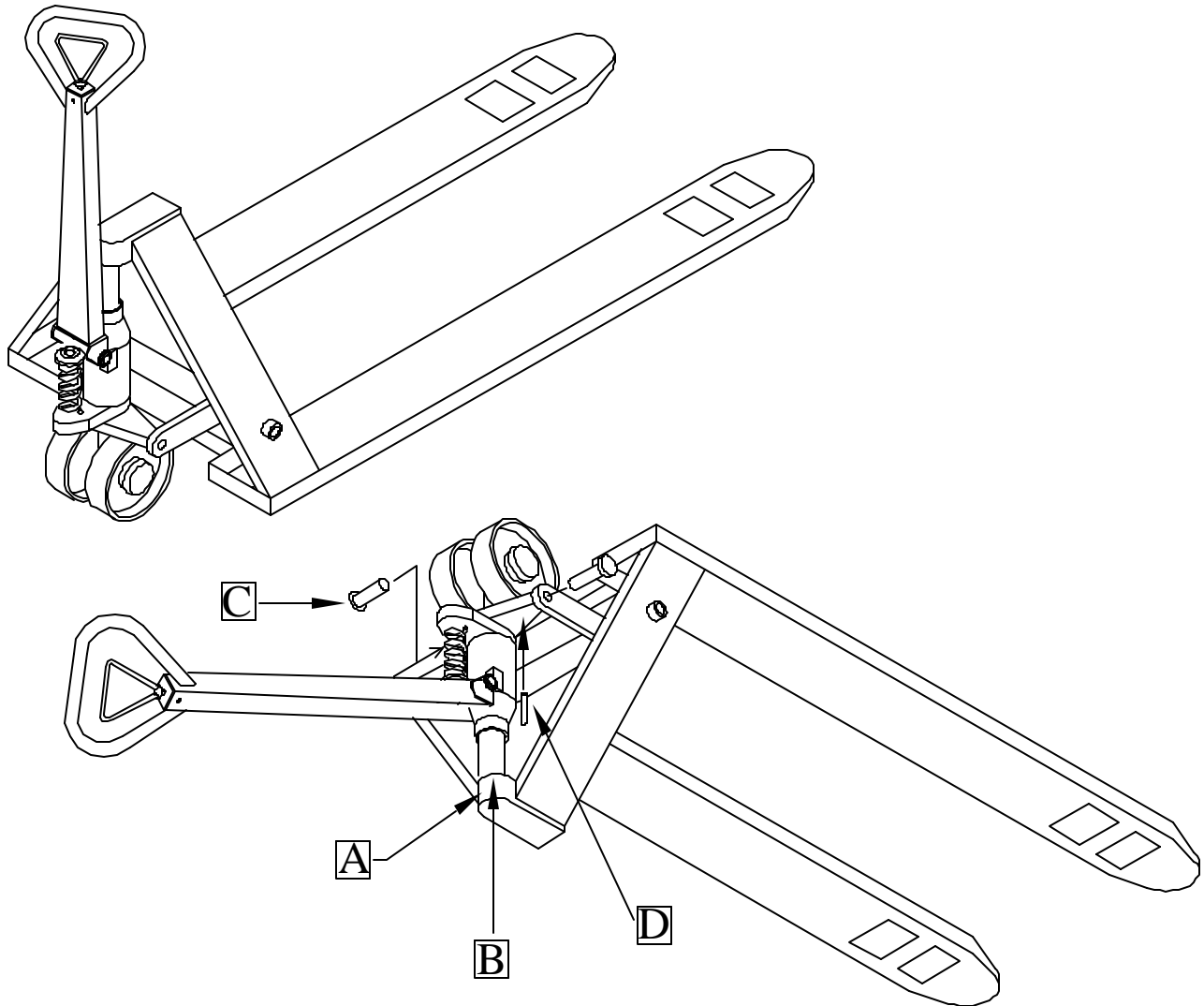


How to install Mobile pump into frame



- A** Remove packing from head, check if the spacer is in place.
- B** Insert Lift Rod in head and install the Lock Ring.
- C** Insert Pins. note: do not mix L.H.&R.H.
- D** Install Lock Pins when truck is turned upright.